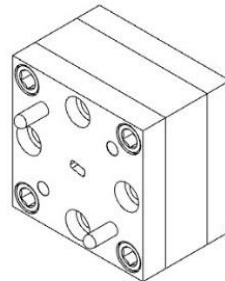
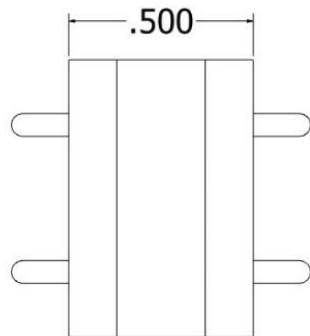
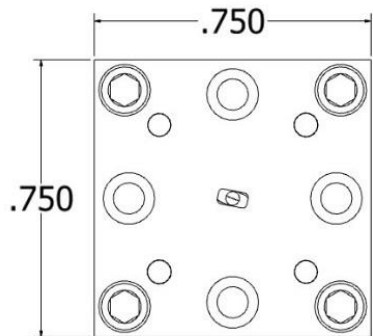


Model: FR80

Specifications

Flange	WR-8
Frequency (GHz)	90-140
Insertion Loss (dB, typ)	0.9
Insertion Loss (dB, max)	2.2
Isolation (dB, typ)	30
Isolation (dB, min)	18
Input Return Loss (dB, typ)	20
Output Return Loss (dB, typ)	20
VSWR (max)	1.4:1
Maximum Power (W)	1.1
Diamond Heatsink	Yes

Every isolator is tested on a vector network analyzer to ensure conformity.



FR80 Measured Test Data

