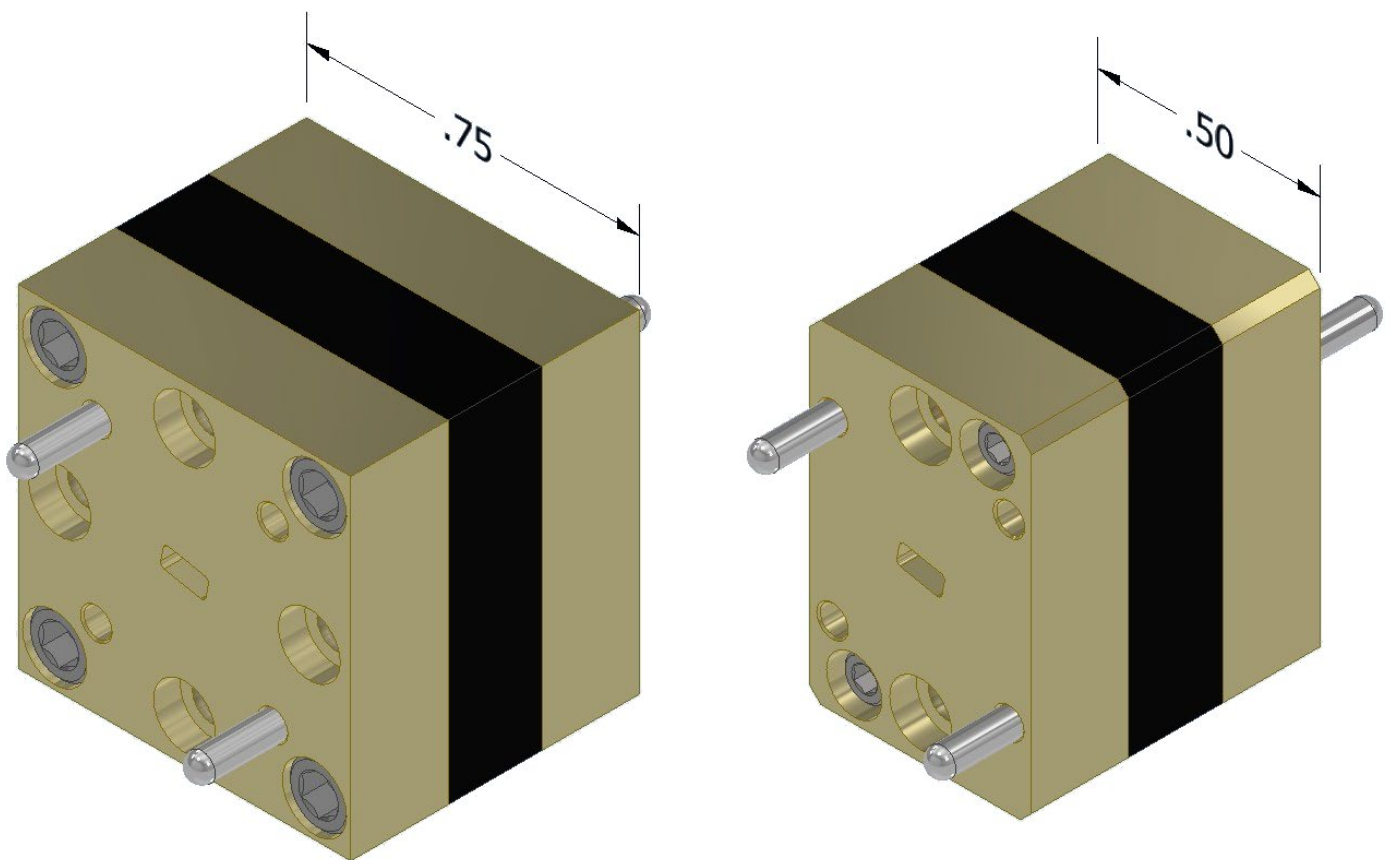




MicroHarmonics

Dedicated to meeting customer needs

At Micro Harmonics, we are committed to listening to our customers, learning about their needs and designing innovative solutions. One customer asked if it was possible to make our already compact cryogenic WR-10 isolator even smaller. So we did! And we managed to maintain the standard flange configuration at the same time.



Our founder and CTO, Dr. David Porterfield, has over 25 years of experience designing state-of-the-art MMW products. He recently filed a patent for a hybrid circulator operating in G-band with a bandwidth of nearly 40 GHz. NASA is funding development of this component through an SBIR contract awarded to Micro Harmonics in July 2020. Check out the details [here](#).

**Contact us when
you are searching
for solutions for
your unique MMW
systems.**