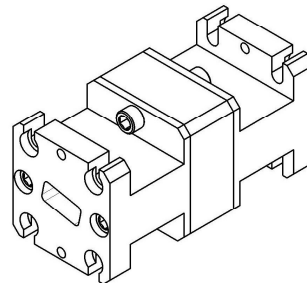
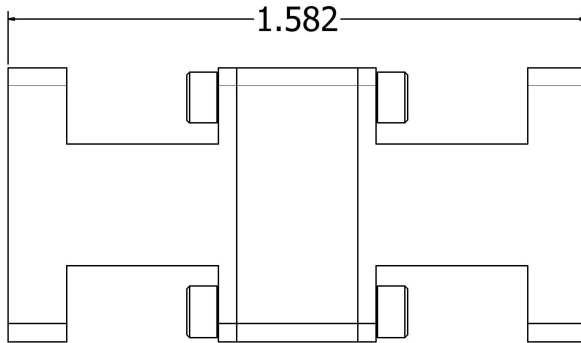
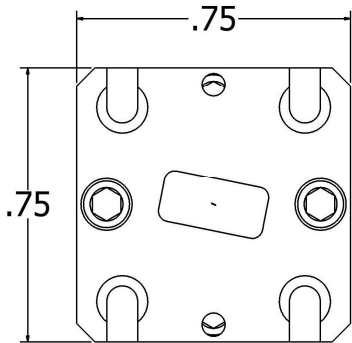
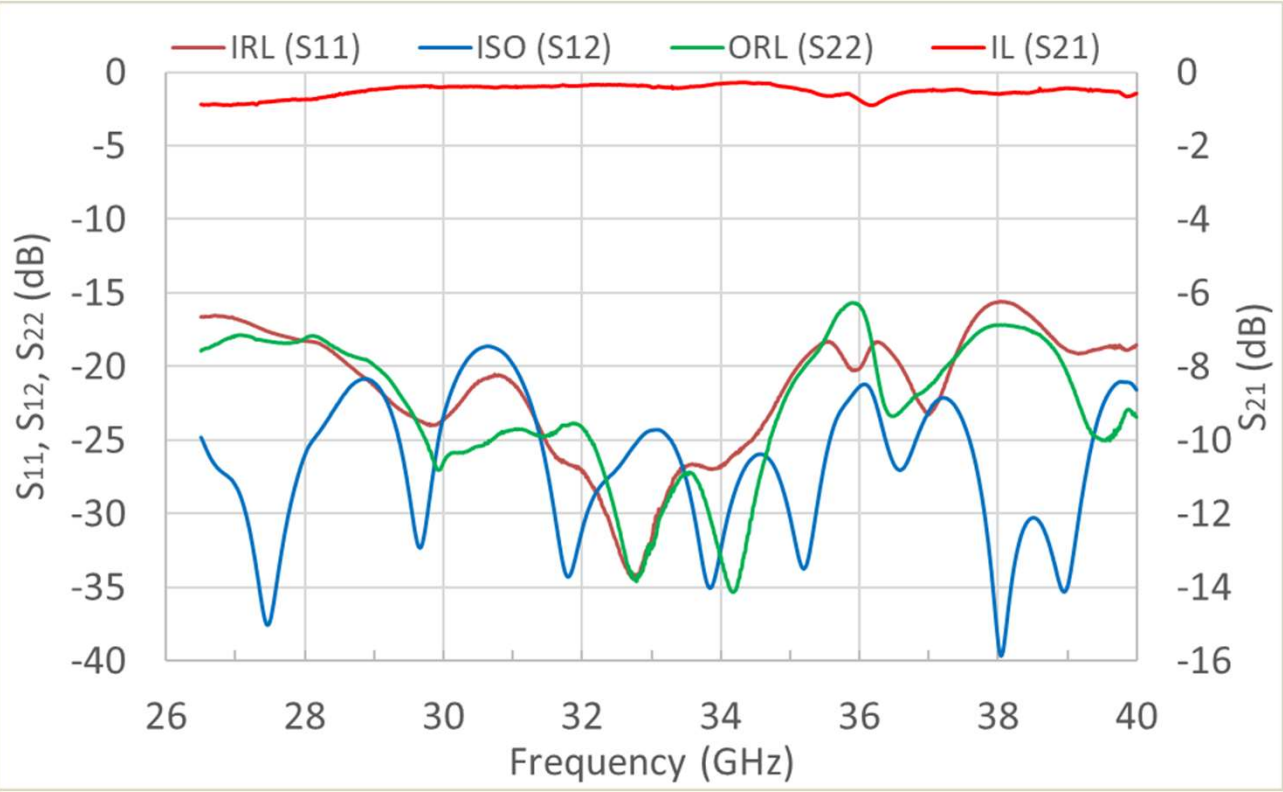


Model: FR280

Specifications	
Flange	WR-28
Frequency (GHz)	26.5-40
Insertion Loss (dB, typ)	0.5
Insertion Loss (dB, max)	1.2
Isolation (dB, typ)	25
Isolation (dB, min)	19
Input Return Loss (dB, typ)	20
Output Return Loss (dB, typ)	20
VSWR (max)	1.5:1
Max. Rev. Power (W)	7
Diamond Heatsink	Yes



April 12, 2021