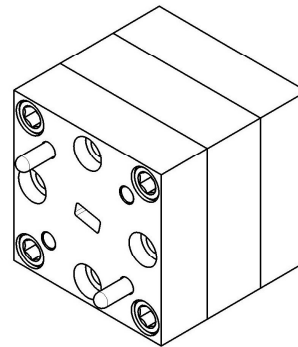
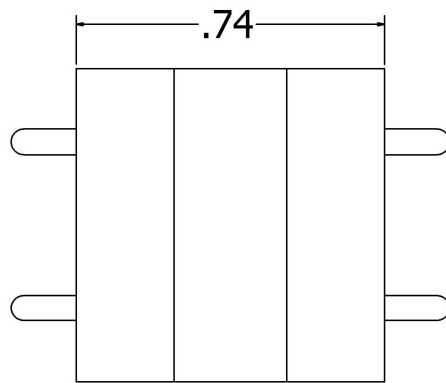
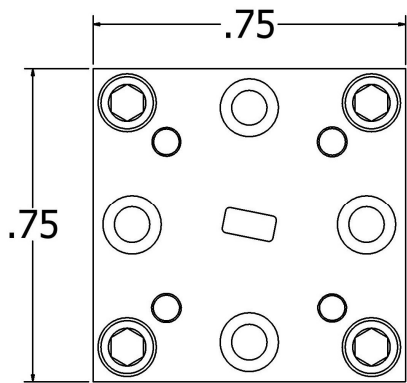
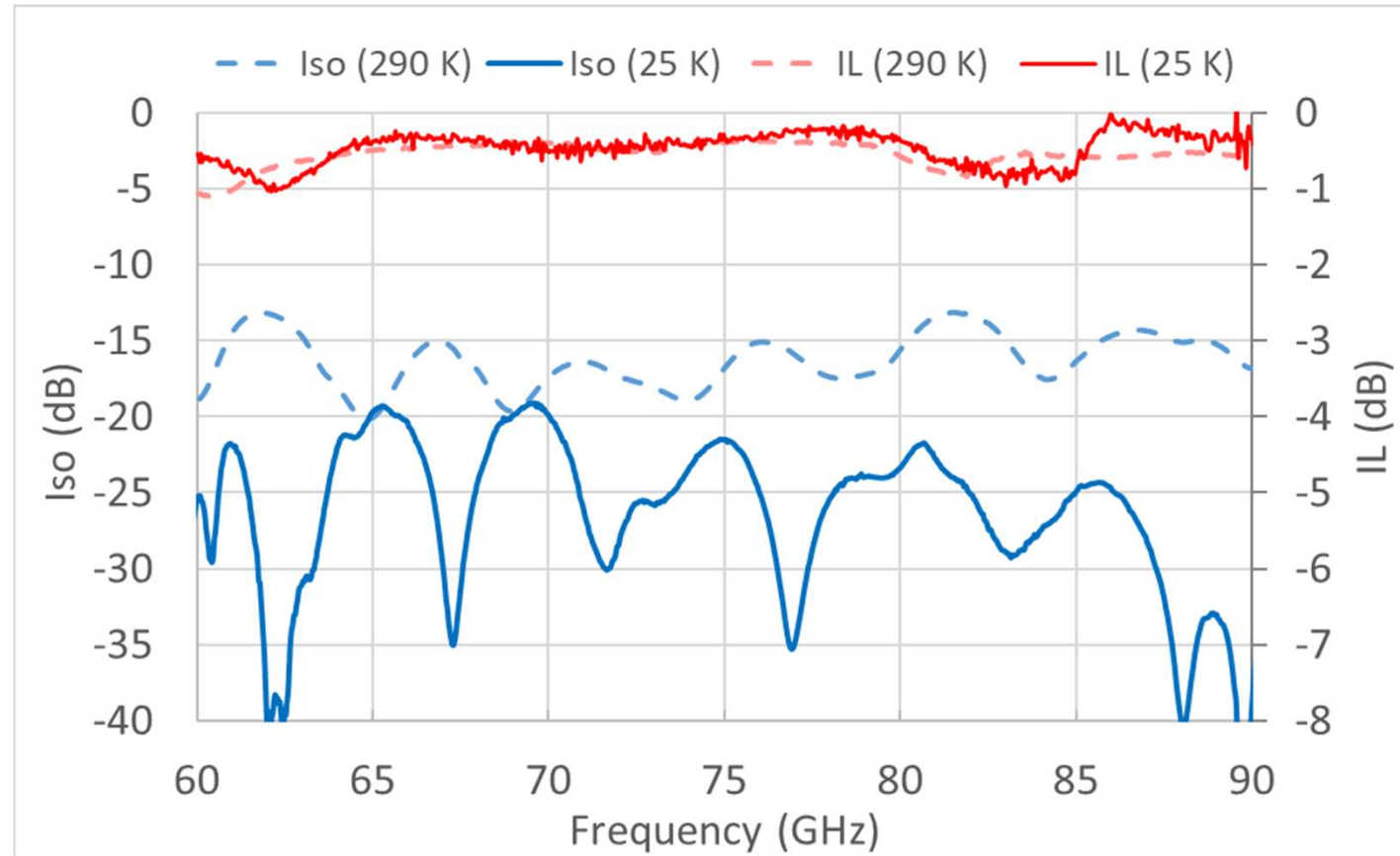


Model: FR122C

Specifications

Flange	WR-12
Frequency (GHz)	60-90
Insertion Loss (dB, typ, 290K)	0.6
Insertion Loss (dB, typ, 25 K)	0.5
Isolation (dB, typ, 290 K)	17
Isolation (dB, typ, 25 K)	22
Input Return Loss (dB, typ)	20
Output Return Loss (dB, typ)	20
VSWR (max)	1.5:1
Maximum Power (W)	1.5
Diamond Heatsink	No

Every isolator is tested on a vector network analyzer to ensure conformity.



March 12, 2021